

DATASHEET

LED PAVING STONES

Variants



Square

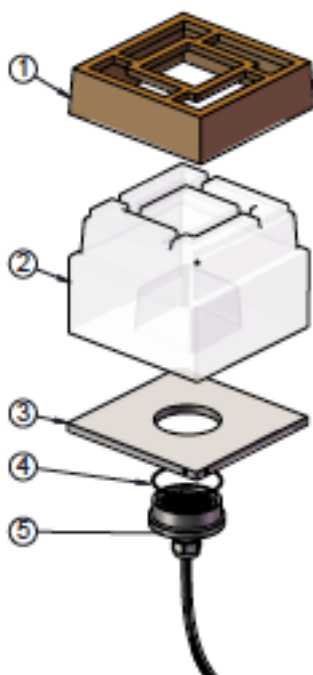


Wave



Diagonal

Components



1. Casted bronze friese
2. Casted glass for heavy load
3. Stainless steel end plate for LED
4. LED either one color or RGB + cable

PRODUCT DESCRIPTION

Submersed LED glass/bronze stone with LED light.
The stone is delivered as one unit with integrated LED and cable.

DIMENSION

Module size: L 100 mm x W 100 mm x D 80 mm
Bronze freize: L 97 mm x W 97 mm x D 30 mm (for Fuge sand)

INSTALLATION

Can be installed as a part of the paving. Can also be casted directly into concret.
Please make sure to have a solid foundation of sand to prevent sinking unit

ELETRICAL INFORMATION

Voltage: 24 volt DC
Wattage: 1,2 watt / 1,6 watt
Igress protection: IP 68
Isolation class: III
Driver not included

LED INFORMATION

Single color LEDs: 1,2 watt max
RGB LEDs: 1,6 watt max
Lightsource: Osram Coin light
Cable length: 50 cm
Cable type:
Single colour - neopren cable 2 x 0,75 mm²
RGB LEDs -plastic cable 4 x 0,5 mm². Cabels are marked 1,2,3 and 4

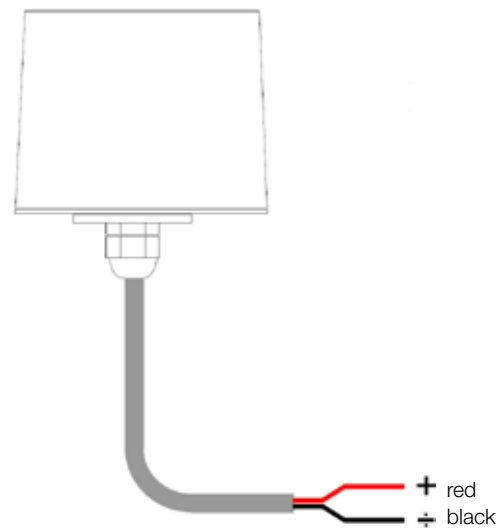
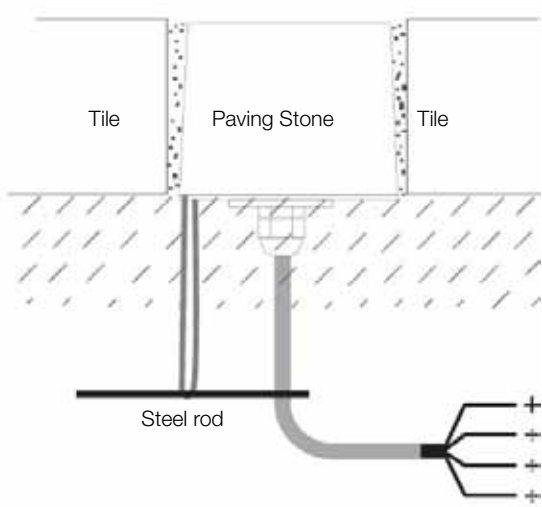
CAUTION

Avoid passing by airfilled tyre. However, may not be exposed to extream horizontal load (example a braking, acceleration and turning car)

LED PAVING STONES

TEM NO.	TYPE	IGH
81000009	LED PAVING STONE SQUARE, RGB LIGHT	2,33
81000110	LED PAVING STONE DIAGONAL, RGB LIGHT	2,26
81000111	LED PAVING STONE WAVE, RGB LIGHT	2,26
81000112	LED PAVING STONE SQUARE, WHITE LIGHT	2,33
81000113	LED PAVING STONE DIAGONAL, WHITE LIGHT	2,26
81000114	LED PAVING STONE WAVE, WHITE LIGHT	2,26

ASSEMBLY INSTRUCTIONS LED PAVING STONES



CAUTION

RGB LED: It is recommended to use enclosed IP 68 STEAB junction box.