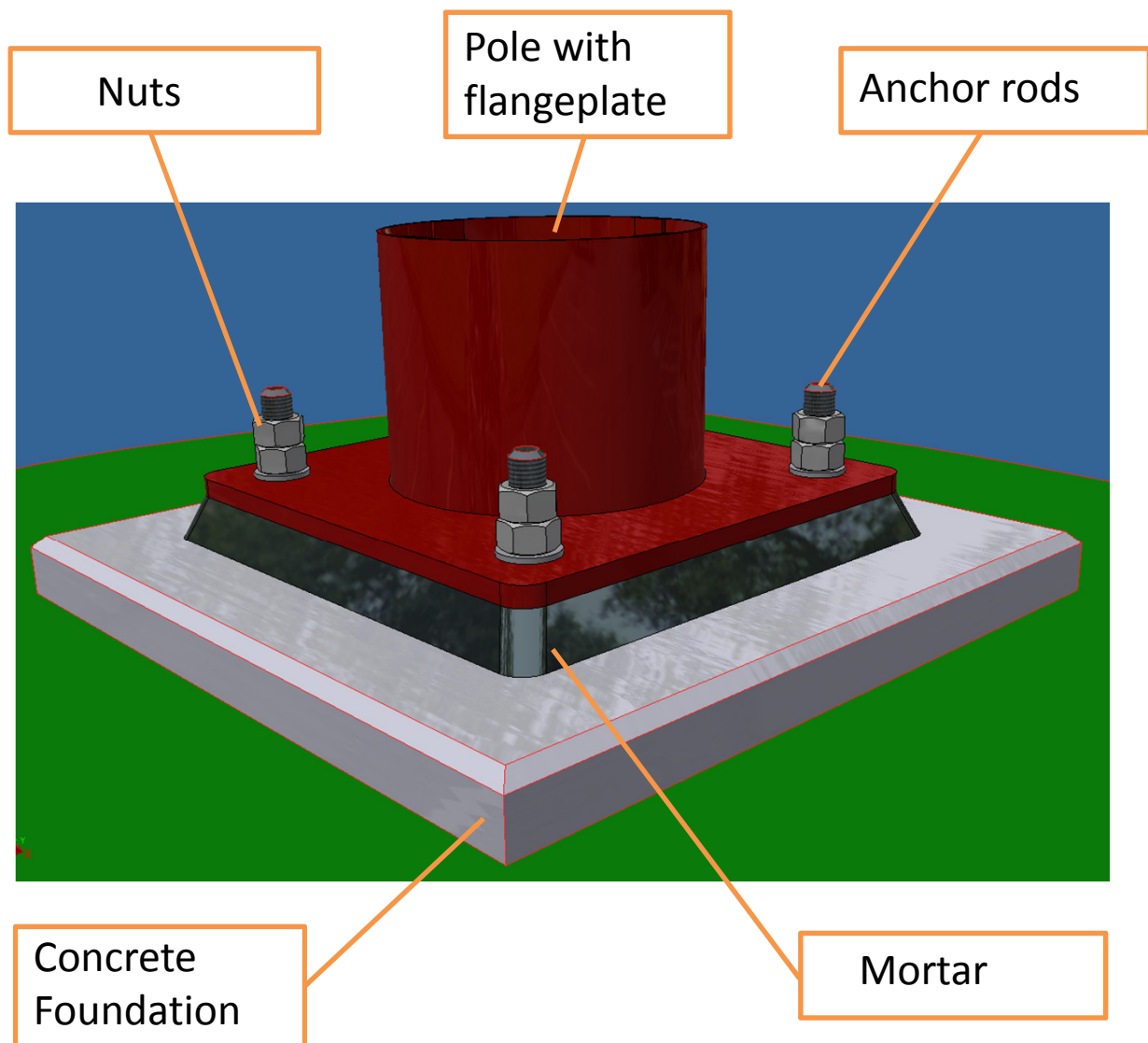
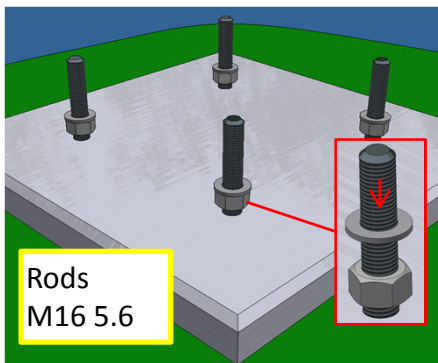


# Mounting instruction ProTec Pole with flangeplate



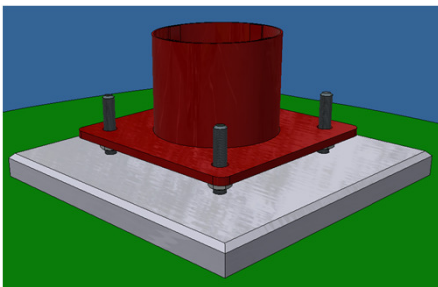
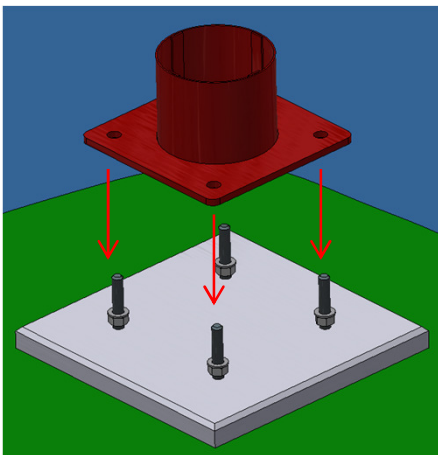


## 1. Aligning of nuts

Screw the nuts and washers onto anchor rods and level them out horizontally.

## 2. Erect pole

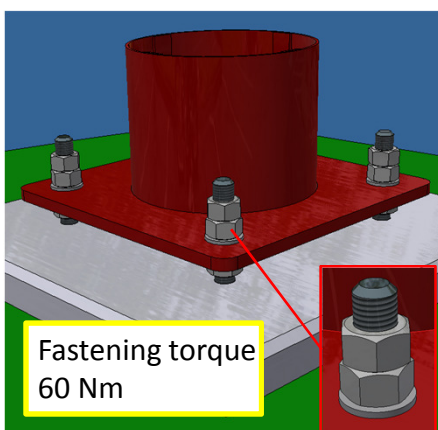
Sit flange plate onto levelled out nuts. If necessary, readjust nuts.



## 3. Screwing of flangeplate

Put one washer and two bolts on each rod and screw them hand-tight.

Fasten with torque wrench at about 60 Nm.



## 4. Grouting of gap

Filling of gap between flangeplate and foundation with low-shrink mortar.

